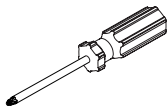


# Room Divider

## Assembly Instructions

- Take great care handling and lifting parcels
- Open parcels with care to avoid damage
- Check the label to see the contents of each parcel
- If you have ordered several items, keep it simple: only unpack one item at a time
- Use the the Parts Diagram sheet to identify and distinguish between parts
- Any questions: call us on **01227 833333**, or email **sales@jali.co.uk**

### YOU WILL NEED

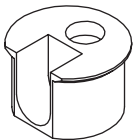


5mm Pozi  
Screwdriver

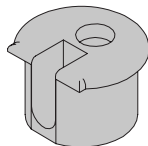
### EXTRA

- You must fix your product safely in place. Depending on your situation, you may choose to use a drill, suitable screws and wall plugs. Your design may include a Mount Board to assist with fixing against a wall. If possible, consider attaching the unit to the ceiling.
- If your design does not include a plinth, you won't have any Kickboards.

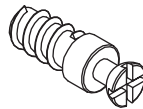
### FIXINGS INCLUDED



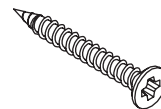
White Cam



Nickel Cam

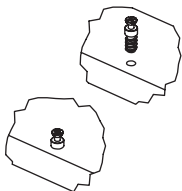


Cam Bolt

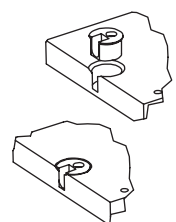


30mm CSK  
Screw

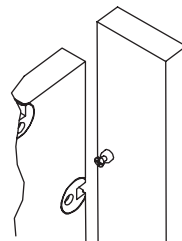
### HOW DO CAM & BOLTS WORK?



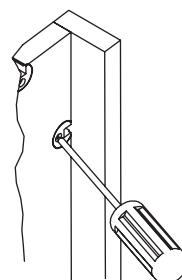
1. Screw in the Cam Bolt, up to the shoulder, into the 5mm hole in one part.



2. Push the Cam, facing outwards, into the corresponding hole on the other part.



3. Push the two parts together, so that the Cam Bolts disappear into the middle of the Cams.

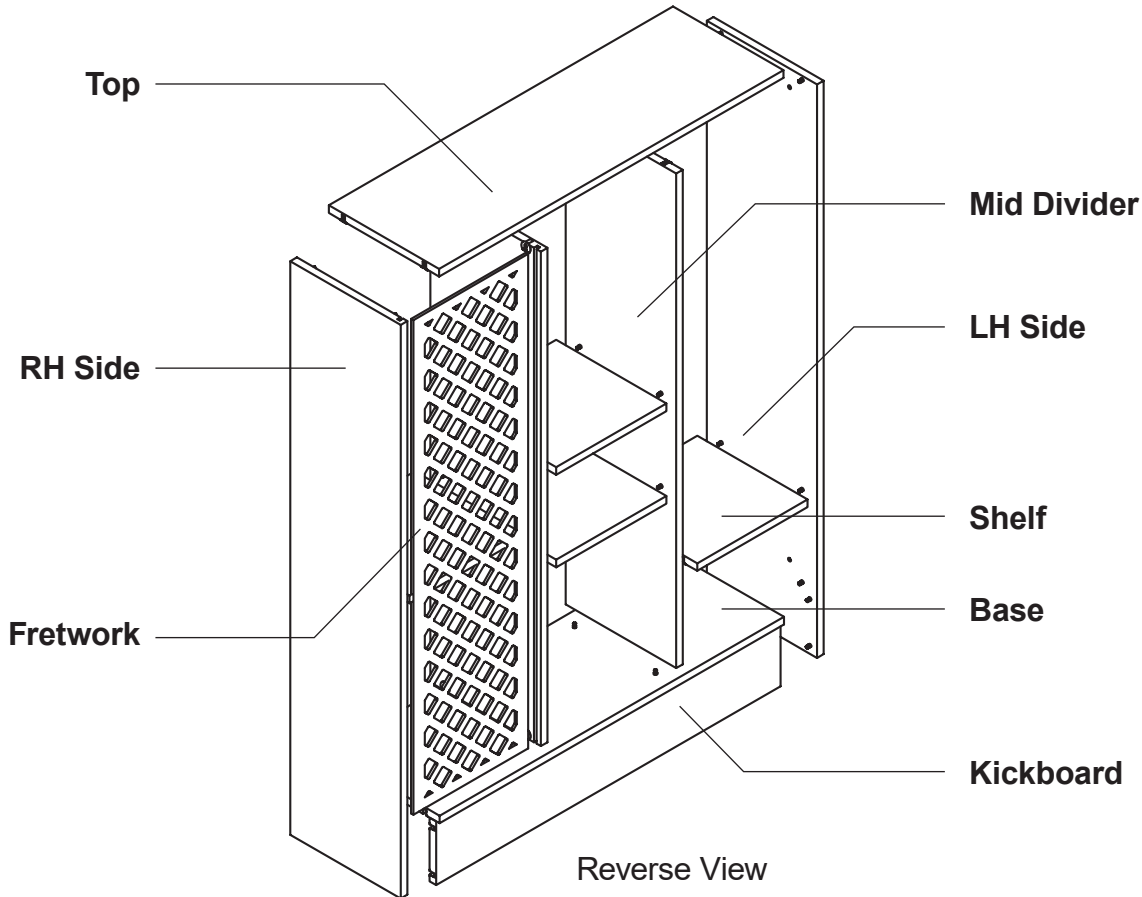


4. Insert a 5mm Pozi screwdriver – tilt back at a slight angle – and rotate CW to lock the Cam.

## SEE HOW IT COMES TOGETHER

---

1. Start by identifying the parts. Your design may be different to this example, but don't worry; the approach will be very similar. Note that units without a plinth do not include Kickboards. You may also have a Mount Board to facilitate attaching your unit to a wall.

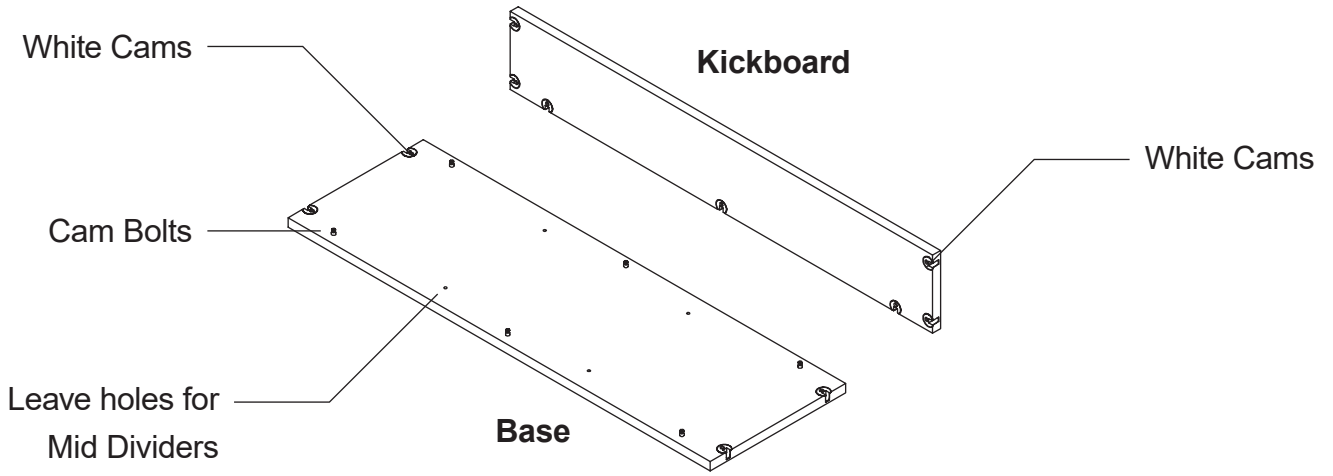


## ASSEMBLY & FITTING

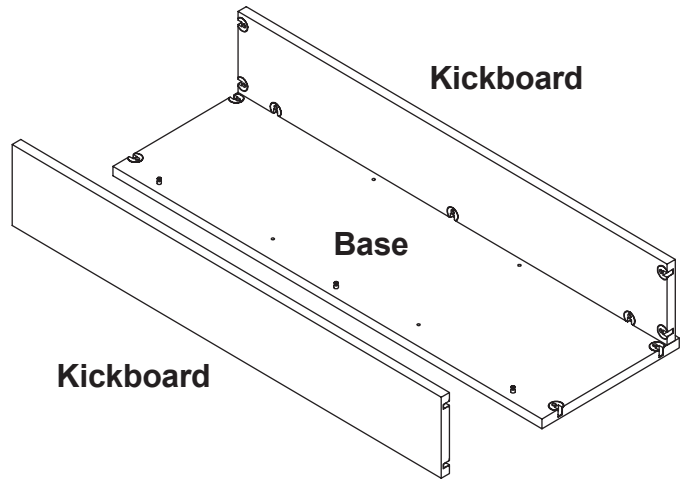
---

2. Depending on your design, you may have a mixture of White Cams and Nickel Cams. Both Cams will fit into the same holes. The Nickel Cams are intended to be seen, while the White Cams are generally hidden. Place Nickel Cams in the available holes in the Mid Dividers, Shelves and the Top, each facing outwards. Place White Cams in the Kickboard and Base.

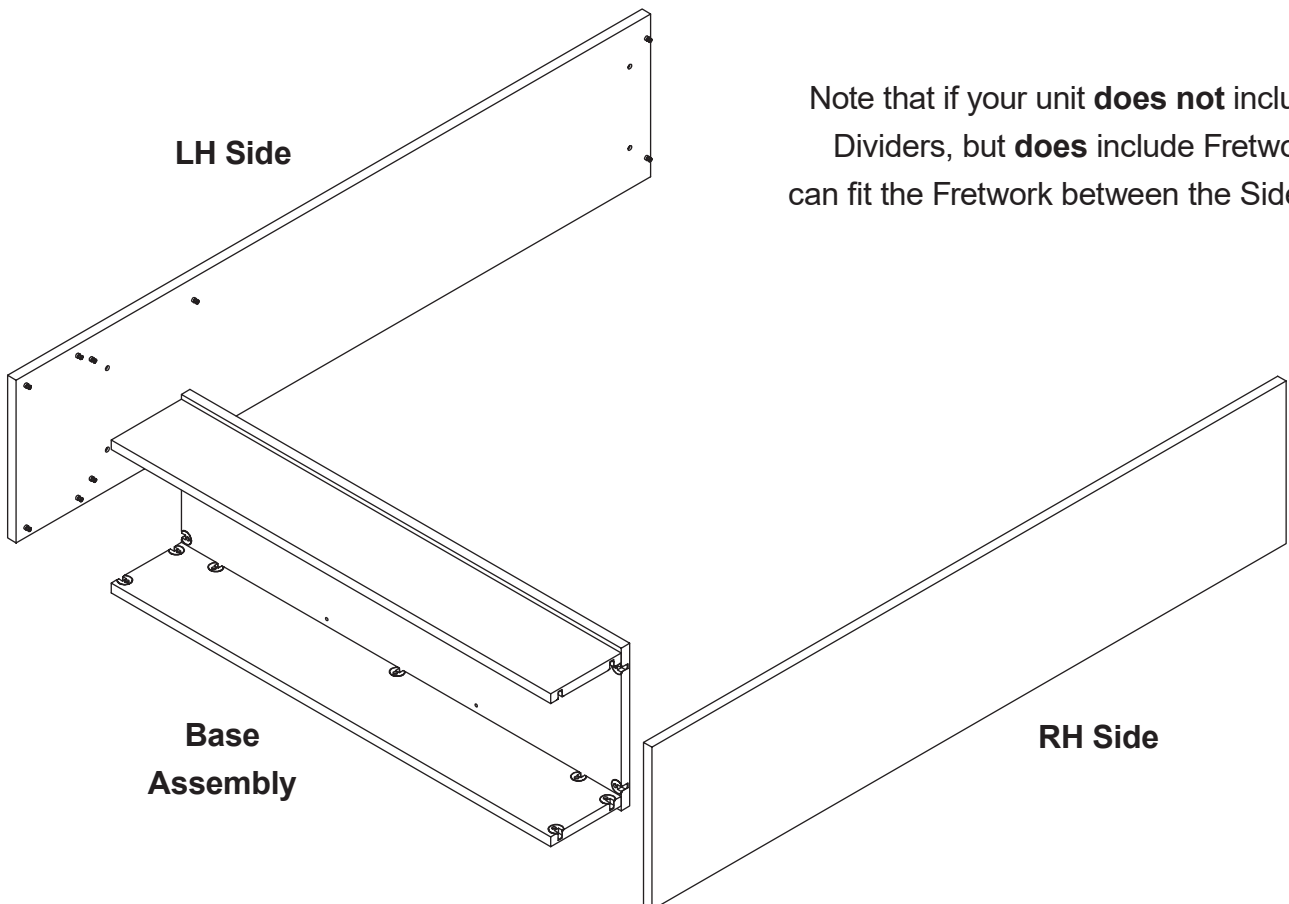
Using the screwdriver, or a power tool on a low setting, screw the Cam Bolts into the available 5mm holes on the Top, Sides and any Mid Dividers (which may require Cam Bolts on both sides). If your design features a Kickboard, the Base will require Cam Bolts on the underside. If your design features Mid Dividers, the Base will also require Cam Bolts on the topside – however, these 5mm holes may be drilled all the way through.



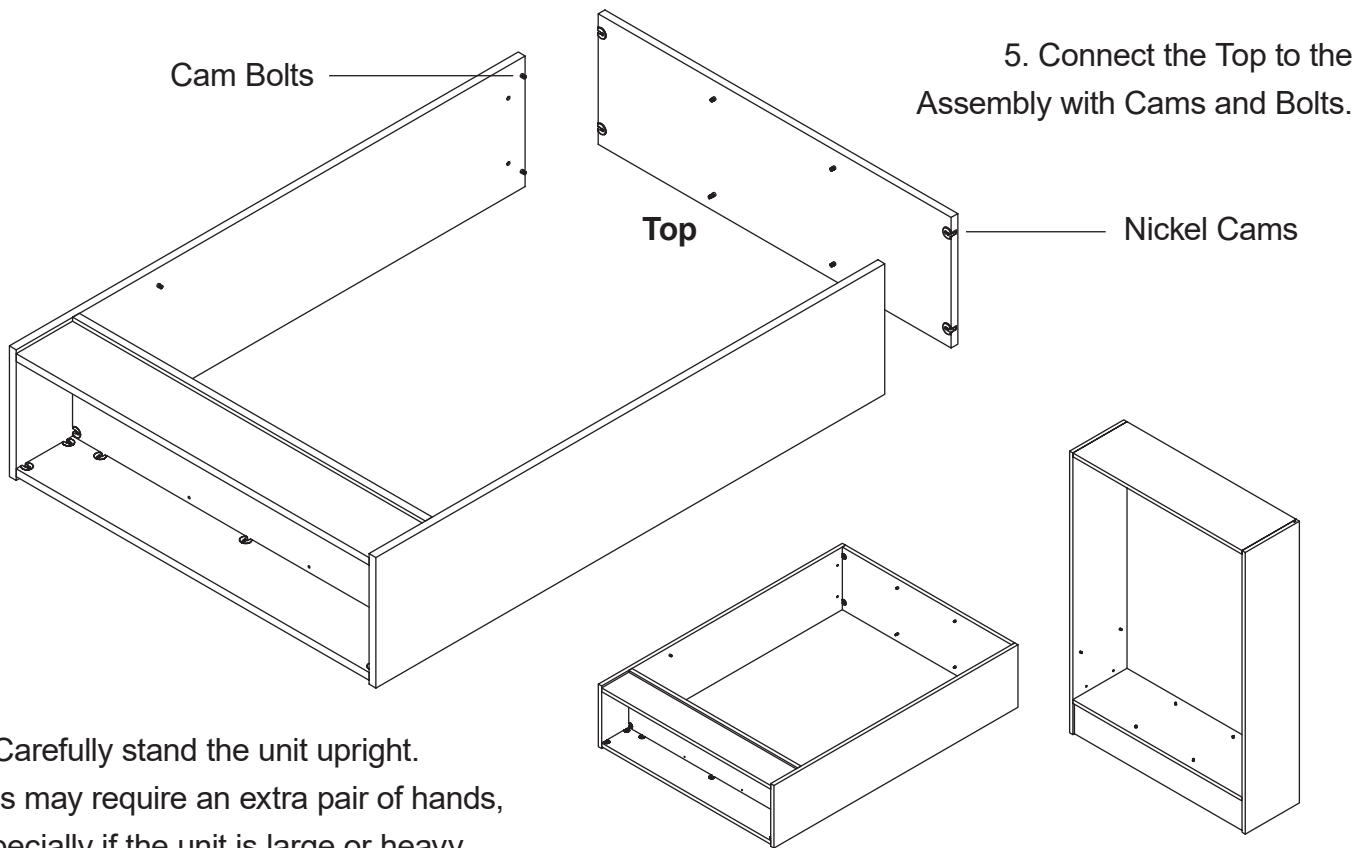
3. Connect any Kickboards to the Base by aligning the Cams and Bolts, and locking them into place. The Cams should be facing inwards. For shallow units, you may require a stubby screwdriver.



4. Connect the Sides to the Base Assembly with Cams and Bolts.

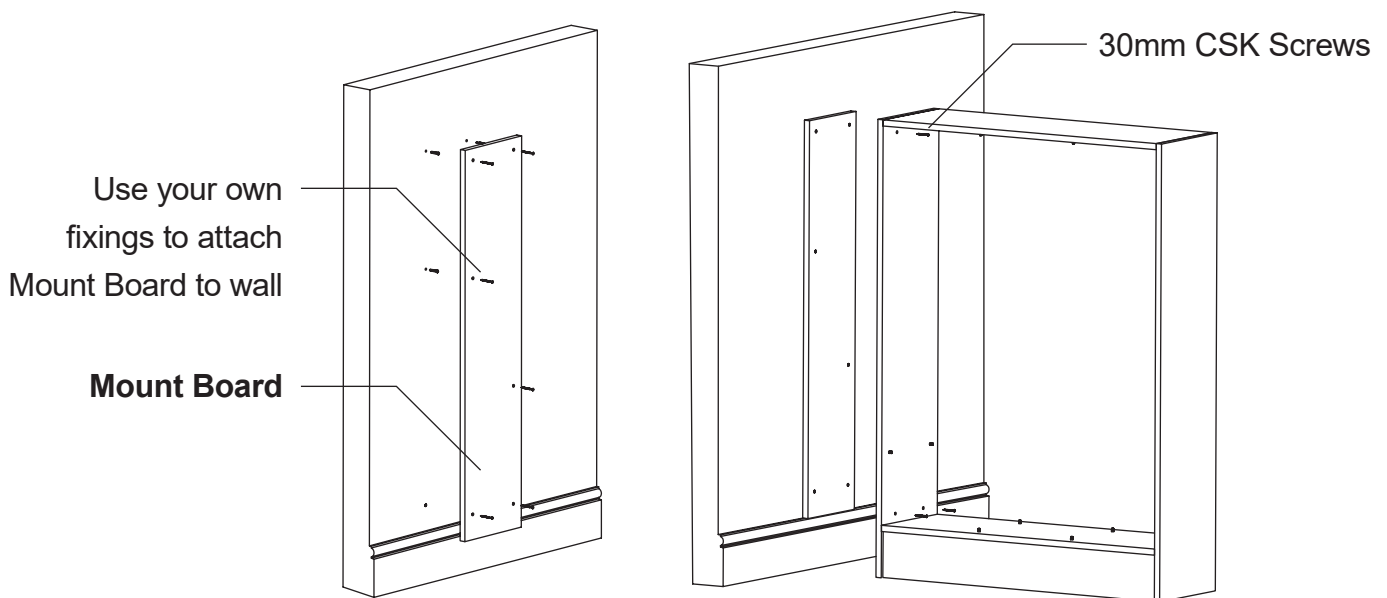


Note that if your unit **does not** include Mid Dividers, but **does** include Fretwork, you can fit the Fretwork between the Sides now.

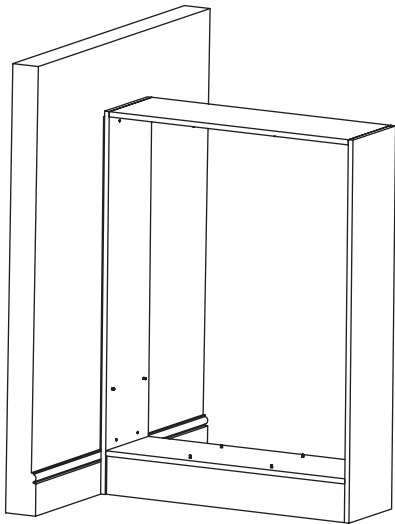


6. Carefully stand the unit upright. This may require an extra pair of hands, especially if the unit is large or heavy.

7. It's important to ensure that the unit is securely fixed in place, either via the wall, ceiling or both. Every room and unit is different, so you must do whatever is best for your unique circumstances. To help with this, we supply an optional Mount Board.



If your room has a skirting board you don't wish to remove, you can trim the Mount Board to offset the unit from the wall. Attach the Mount Board to your wall however you see fit – for example, by using screws and wall plugs (depending on the wall type). Ensure any screws are countersunk, and therefore flush. This provides a convenient flat surface for you to attach the fitted Side to. Use 30mm CSK Screws in the holes provided.

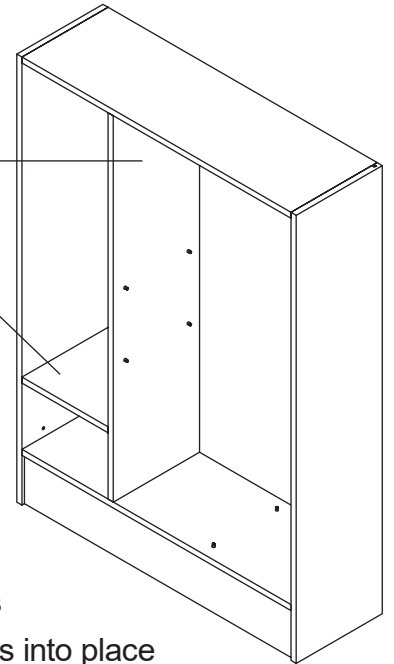


8. Now the unit is secured, it's time to begin inserting any Mid Dividers, Fretwork panels and Shelving.

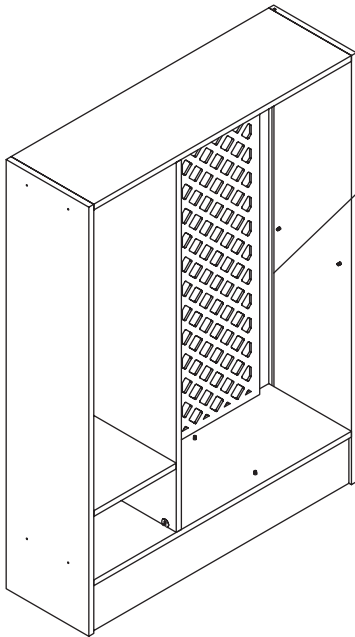
For large units with many parts, refer to the Parts Diagram to ensure that you have identified the correct position and orientation of each Mid Divider. These may feature Cam Bolts for Shelves, and a groove for inserting any Fretwork.

Lock Mid Dividers in place with Cams and Bolts

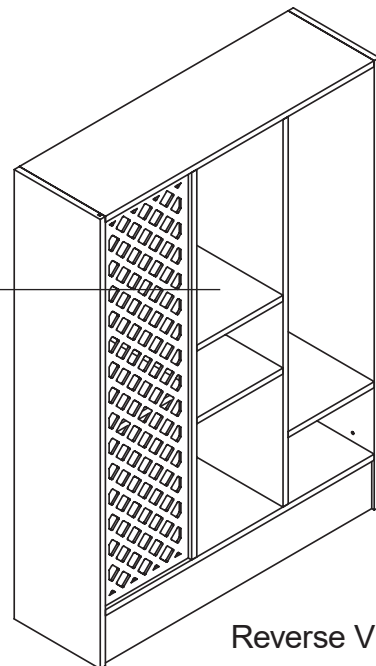
To keep the unit secure, you may choose to insert some Shelves as you go



Slide the appropriate Fretwork panel into the Mid Divider grooves as you position and lock the Mid Dividers into place



Locate the remaining Shelves and lock them in place with Cams and Bolts



Reverse View

**AND YOU'RE DONE!**

#jali #roomdivider #makeityours